

LCC DUAL GATE STATION SERIES BY COMPETITION

* if using a CPT-GATE-A or E (Keypad Gate station), 5-core cable may be required. CAT5E IS RECOMMENDED

UPTO 4 MONITORS CAN BE CONNECTED ON ONE SYSTEM

*4-CORES

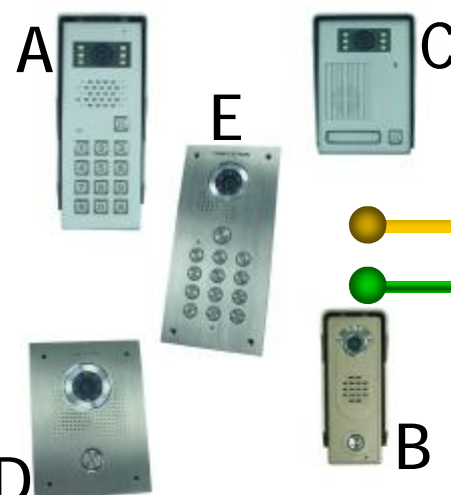
GATE STATION 1

*4-CORES

GATE STATION 2

CPT-GATE-A B C D or E

CPT-GATE-A B C D or E

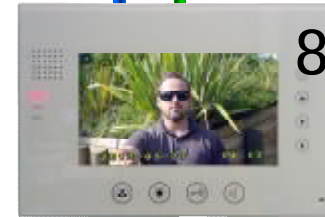


TWIN 0.5

TWIN 0.5



VIDEO MONITOR
CPT-MON-
6, 7 or 8



VIDEO MONITOR
CPT-MON-
6, 7 or 8



AUDIO
ONLY
CPT-MON-0

TWIN 0.5

TWIN 0.5



PSU
CPT-SD5B
(14.5VDC@1300mA)
OR
PS17800EP

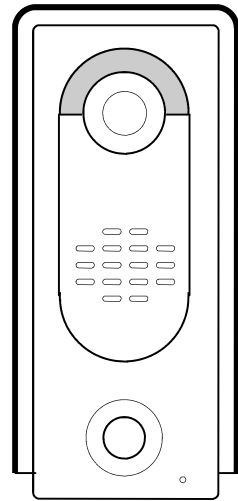


PSU
CPT-SD5B
(14.5VDC@1300mA)
OR
PS17800EP

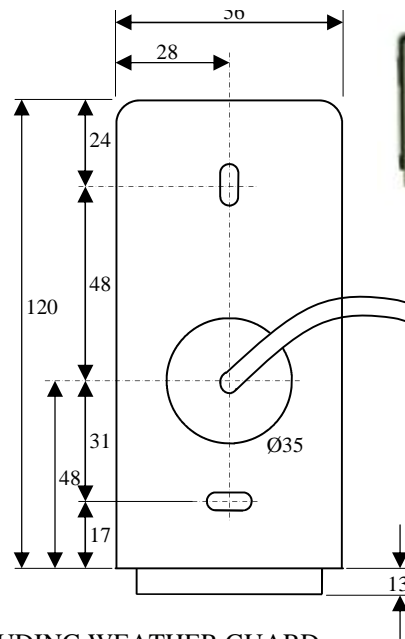




ARROWHEAD ALARM PRODUCTS Ltd.
 344B ROSEDALE Rd
 ALBANY
 AUCKLAND
 Phone: 09 414 0085
 Fax: 09 414 0088
www.aap.co.nz
 V1.8

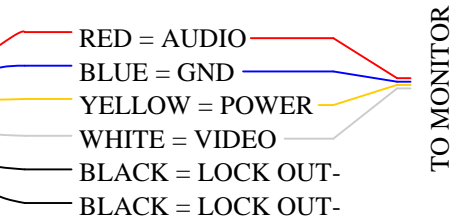


DEPTH = 40mm Max. INCLUDING WEATHER GUARD



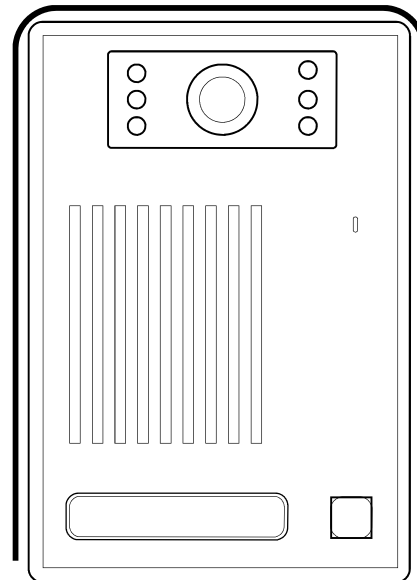
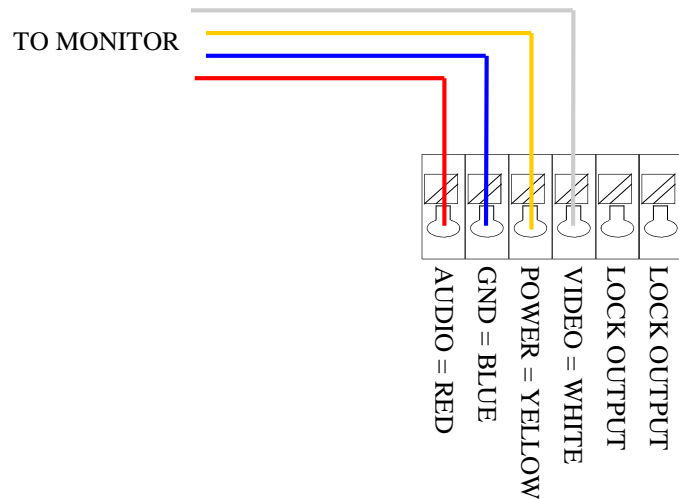
CPT-GATE-B

COLOUR VIDEO & 2-WAY VOICE GATE STATION

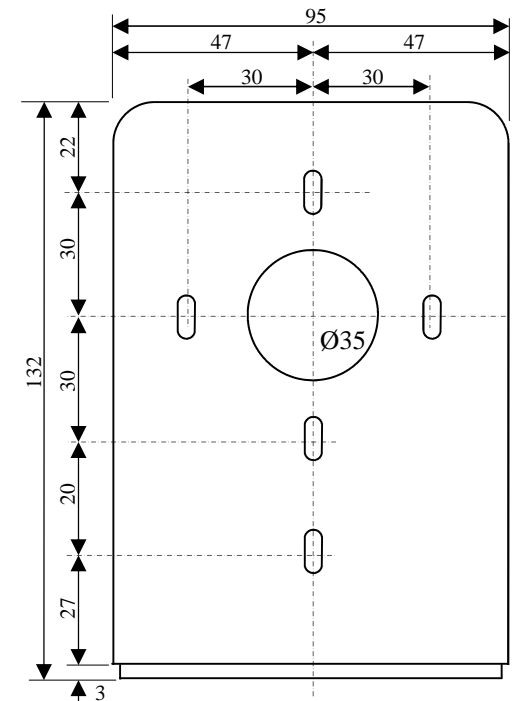


CPT-GATE-D

STAINLESS STEEL GATE STATION
 USE CPT-GATE-B's WIRING DIAGRAMS

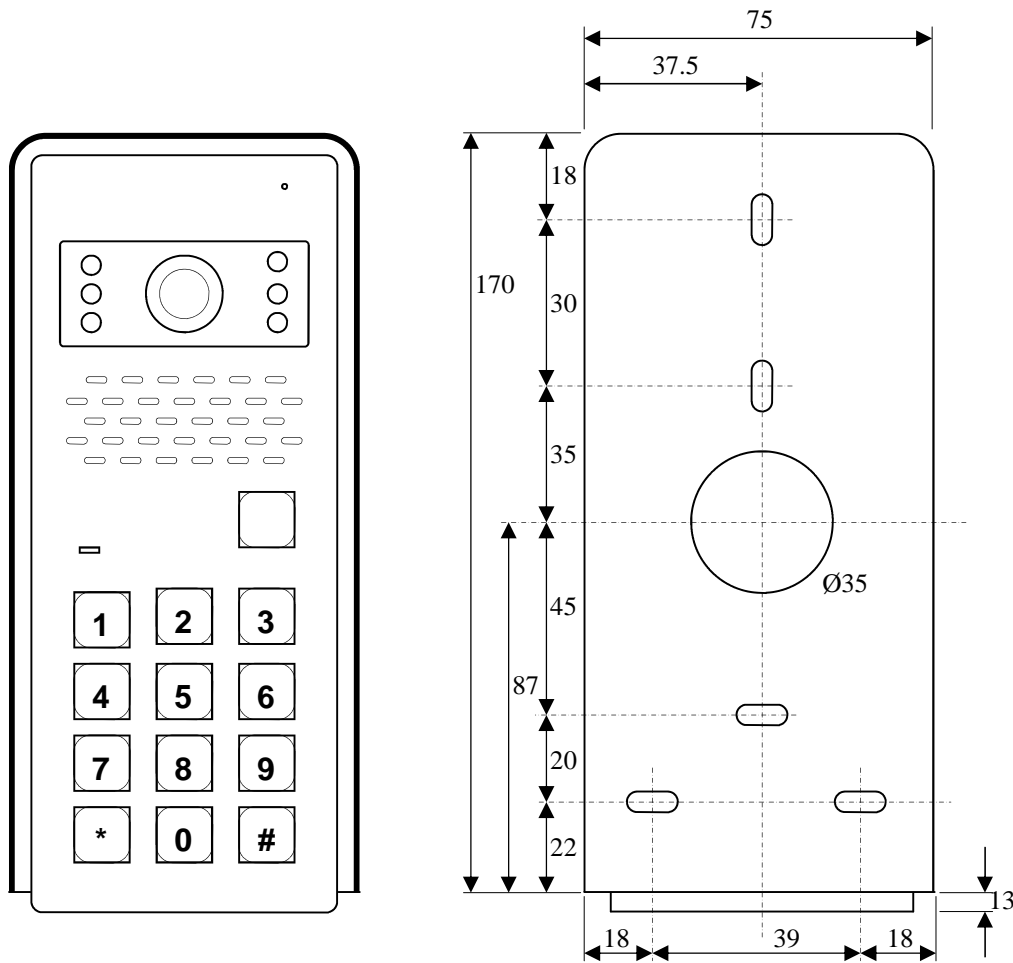


DEPTH = 45mm Max. INCLUDING WEATHER GUARD

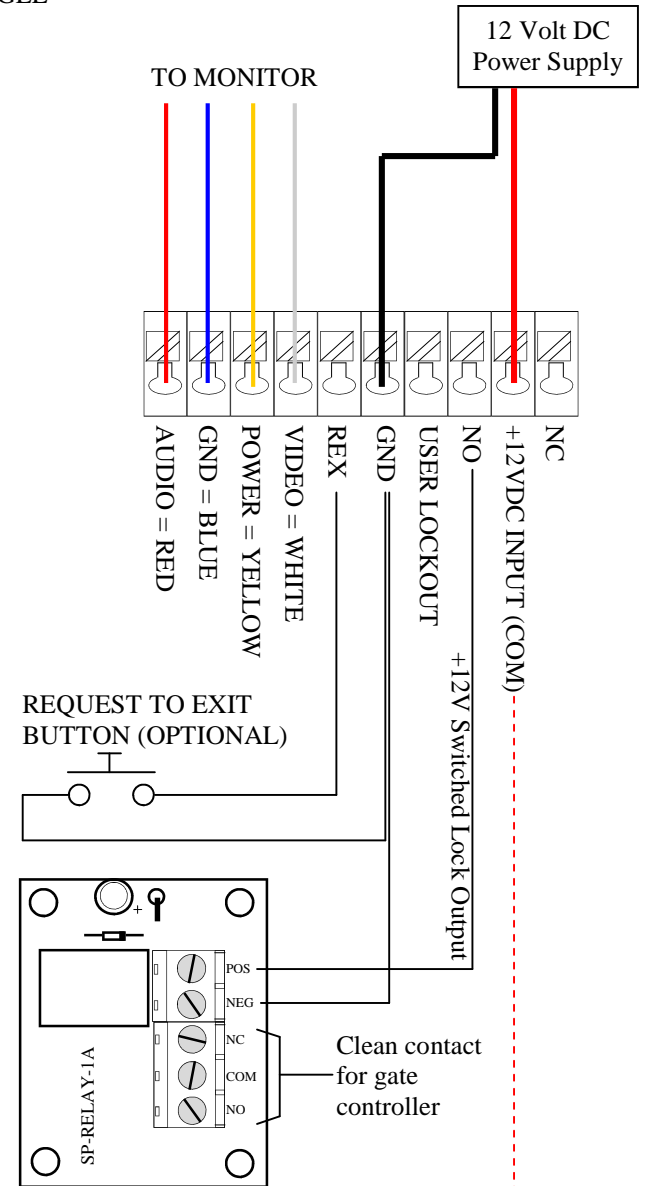
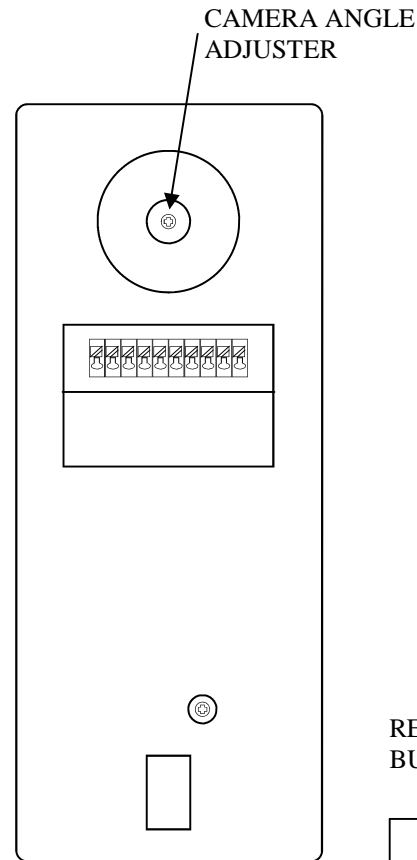


CPT-GATE-C

COLOUR VIDEO & 2-WAY VOICE GATE STATION



DEPTH = 60mm Max. INCLUDING WEATHER GUARD



CPT-GATE-A

COLOUR VIDEO & 2-WAY VOICE GATE STATION WITH ACCESS CONTROL KEYPAD

CPT-GATE-E

STAINLESS STEEL KEYPAD GATE STATION USE CPT-GATE-A's WIRING DIAGRAMS AND PROGRAMMING

A 12 volt power supply must be connected to the +12VDC INPUT (COM) for the Keypad to work. This can either be taken from the monitors power supply, down an extra wire, or from the power supply that runs door the lock.

PROGRAMMING THE CPT-GATE-A & E

Changing the Master Code:

- Remove power from the unit,
- Then press and hold down the * button.
- Apply power, with the * button still held down, the unit will then give a long continuous tone.
- When the tone stops release the * button.
- Wait for the LED to start flashing.
- Now enter your new 4 digit code.

Entering Programming Mode:

- Press the * button
- Wait for a double beep.
- Then enter your 4 digit Master code.
- You should hear 3 beeps and the LED will flash Red.
- Now you are in Programming Mode.

Exiting Programming Mode:

- To exit programming mode just press the * button.

Adding User Codes:

- Enter Programming Mode.
- Choose the slot you wish the code to be stored in (01 to 40)
- You will hear a double beep
- Now enter the new 4 digit user code, if the code loads correctly 3 beeps will be heard. *You can only load a code once.*
- You can now load another code or exit programming mode.

Deleting User Codes:

- Enter Programming Mode.
- Press the # button, you will hear a double beep.
- Enter the 4 digit user code you wish to Delete, 3 beeps will be heard if the code is removed.
- You can now delete another code or exit programming mode.

Deleting User Codes by Slot:

- Enter Programming Mode.
- Choose the slot 01 to 40 that you wish to delete,
- You will hear a double beep.
- Now press the # Button to delete the code, 3 beeps will be heard if the code is removed.
- You can now delete another code or exit programming mode.

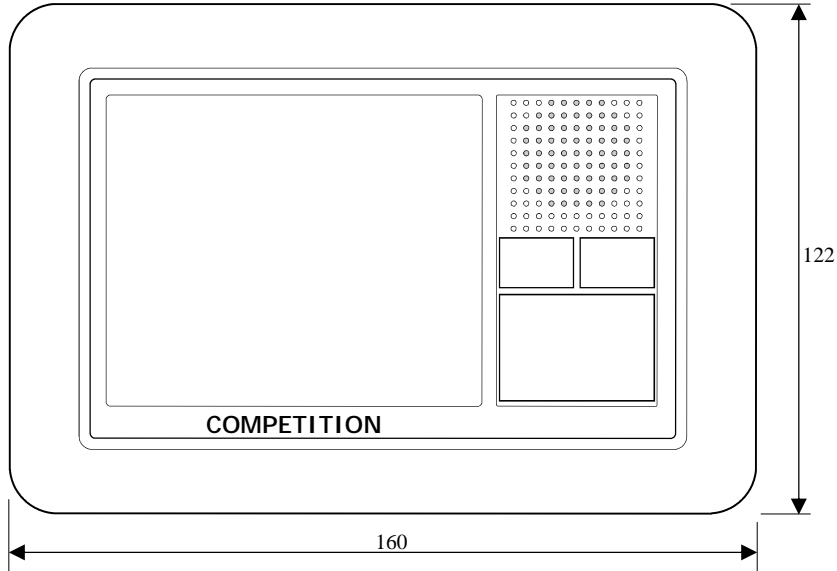
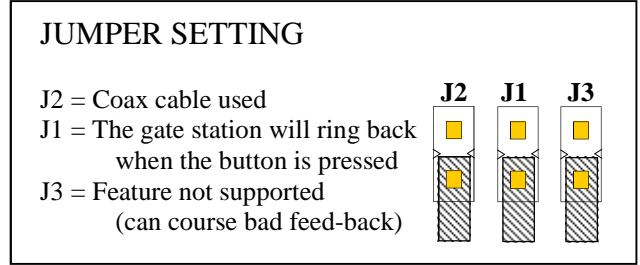
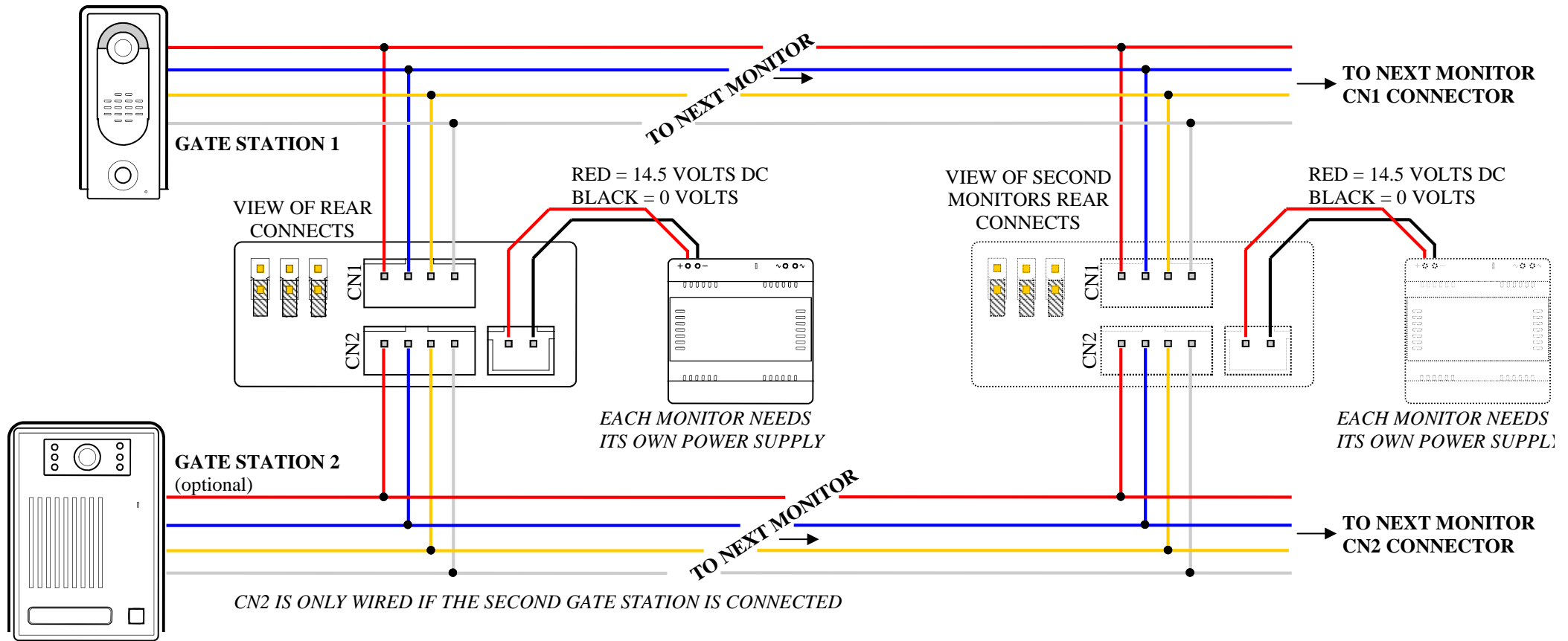
Setting the Lock Time:

- Enter Programming Mode.
- Press 0 0 (this selects a special timer location).
- Now Enter the desired 2 digit time 01 to 99 seconds
- You can now exit Programming Mode

Deleting All Settings:

- Enter Programming Mode.
 - Press the # Button Once, it will beep twice.
 - Press the # Button Once Again, it will beep twice again.
 - Now Press the # Button 7 more times, the LED will turn off and it will beep 4 times indicating the Reset has taken place.
- All information will be erased except the Master Code.*

slot	code	output	slot	code	output
01		timer	21		timer
02		timer	22		timer
03		timer	23		timer
04		timer	24		timer
05		timer	25		timer
06		timer	26		timer
07		timer	27		timer
08		timer	28		timer
09		timer	29		timer
10		timer	30		timer
11		timer	31		latching
12		timer	32		latching
13		timer	33		latching
14		timer	34		latching
15		timer	35		latching
16		timer	36		latching
17		timer	37		latching
18		timer	38		latching
19		timer	39		latching
20		timer	40		latching



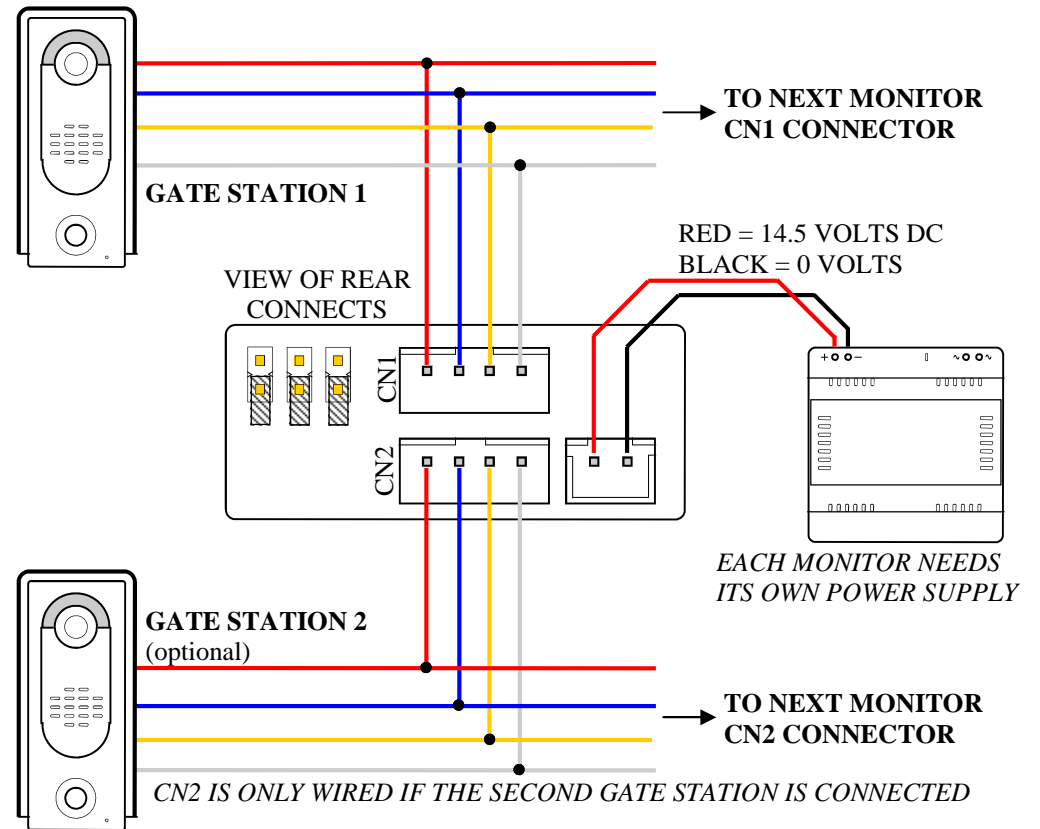
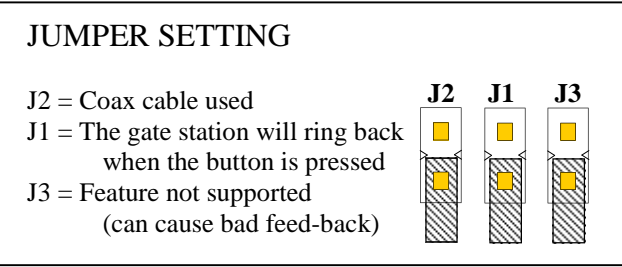
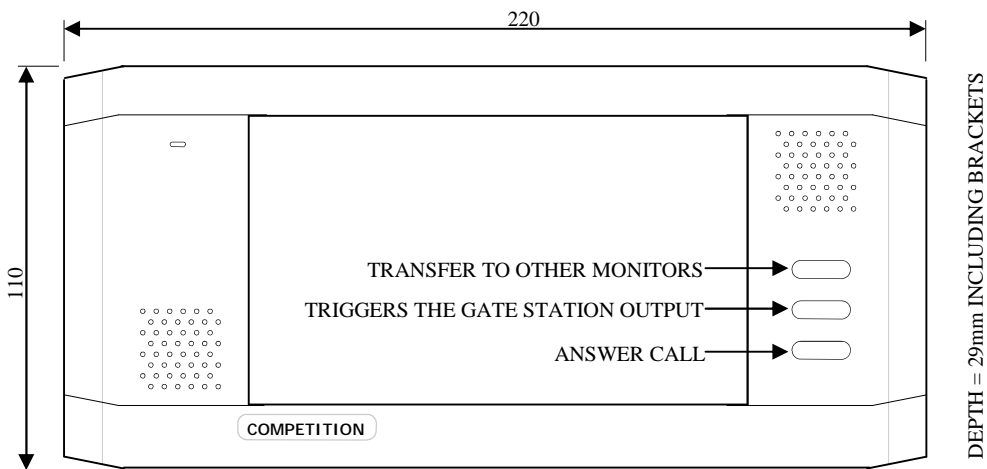
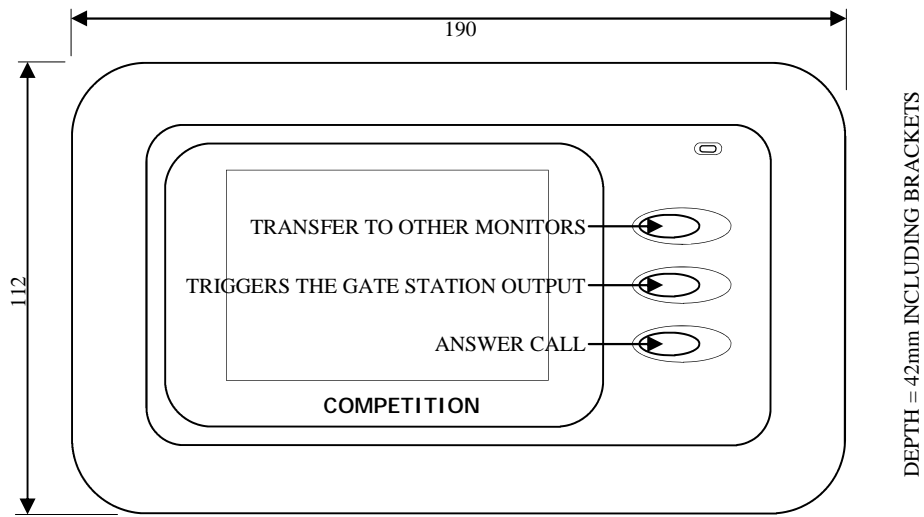
DEPTH = 40mm INCLUDING BRACKETS

CPT-MON-0

AUDIO ONLY HANDS FREE INDOOR INTERCOM

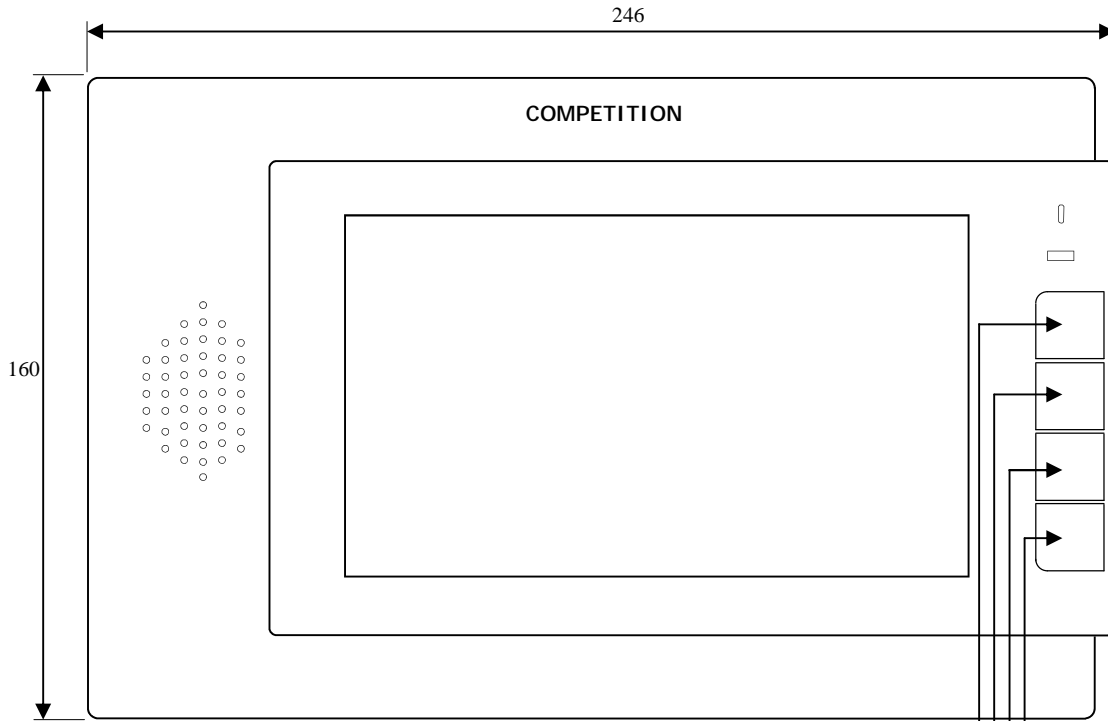
CPT-MON-3

3.5" SMALL COLOUR VIDEO & 2-WAY VOICE MONITOR



CPT-MON-5

6.5" SLIM COLOUR VIDEO & 2-WAY VOICE MONITOR



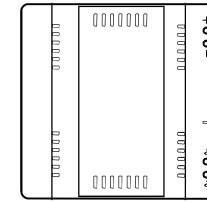
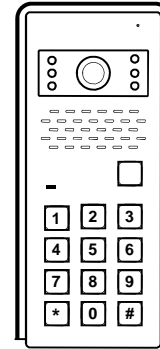
DEPTH = 22mm INCLUDING BRACKETS

- VIEW & CYCLE GATE STATION
- CALL OTHER MONITORS
(only works with CPT-MON-6 & 7 Monitors)
- TRIGGERS THE GATE STATION OUTPUT
- ANSWER CALL

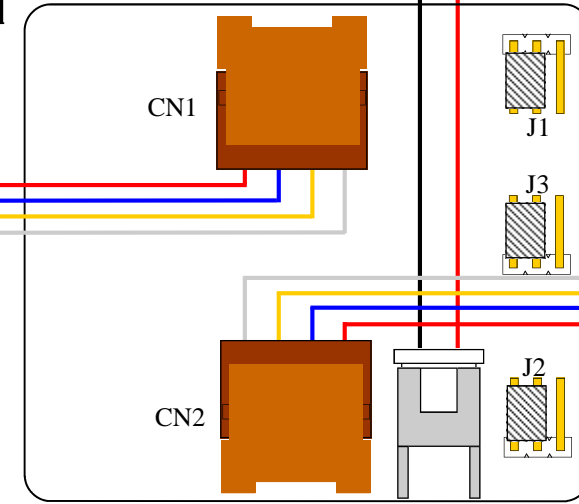
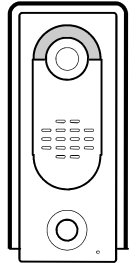
CPT-MON-6

6.5" LOW-PROFILE COLOUR VIDEO & 2-WAY VOICE MONITOR

COMPATIBLE
GATE STATIONS:
CPT-GATE-
A B C D or E



COMPATIBLE
GATE STATIONS:
CPT-GATE-
A B C D or E



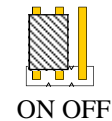
TO NEXT MONITOR
CN1 CONNECTOR

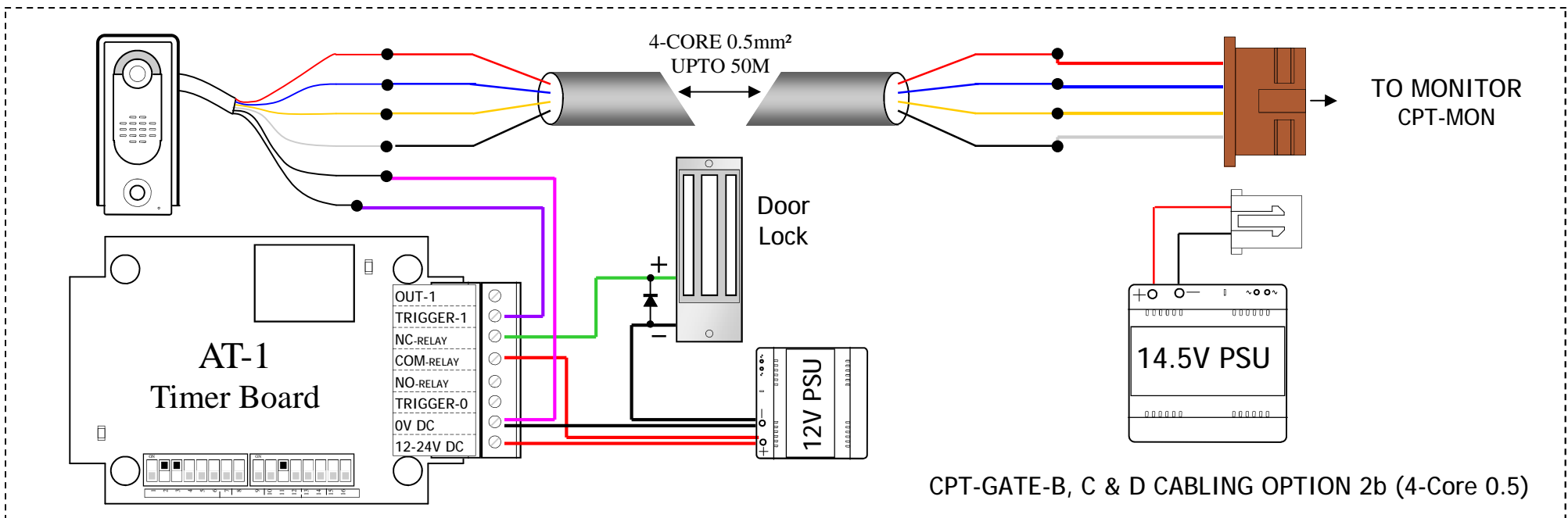
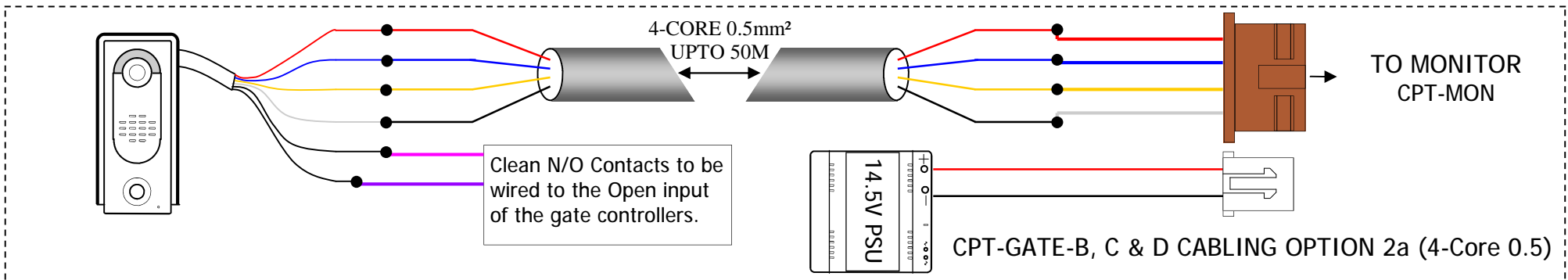
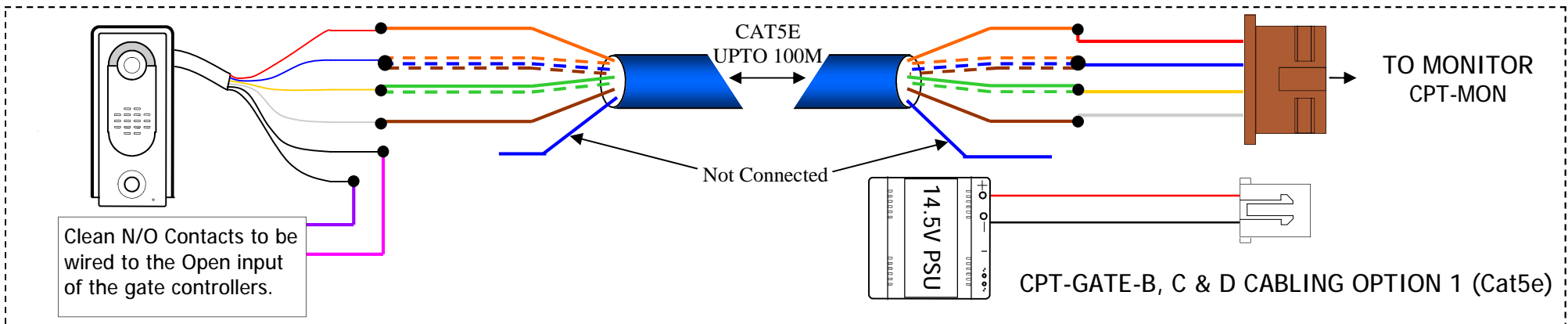
TO NEXT MONITOR
CN2 CONNECTOR

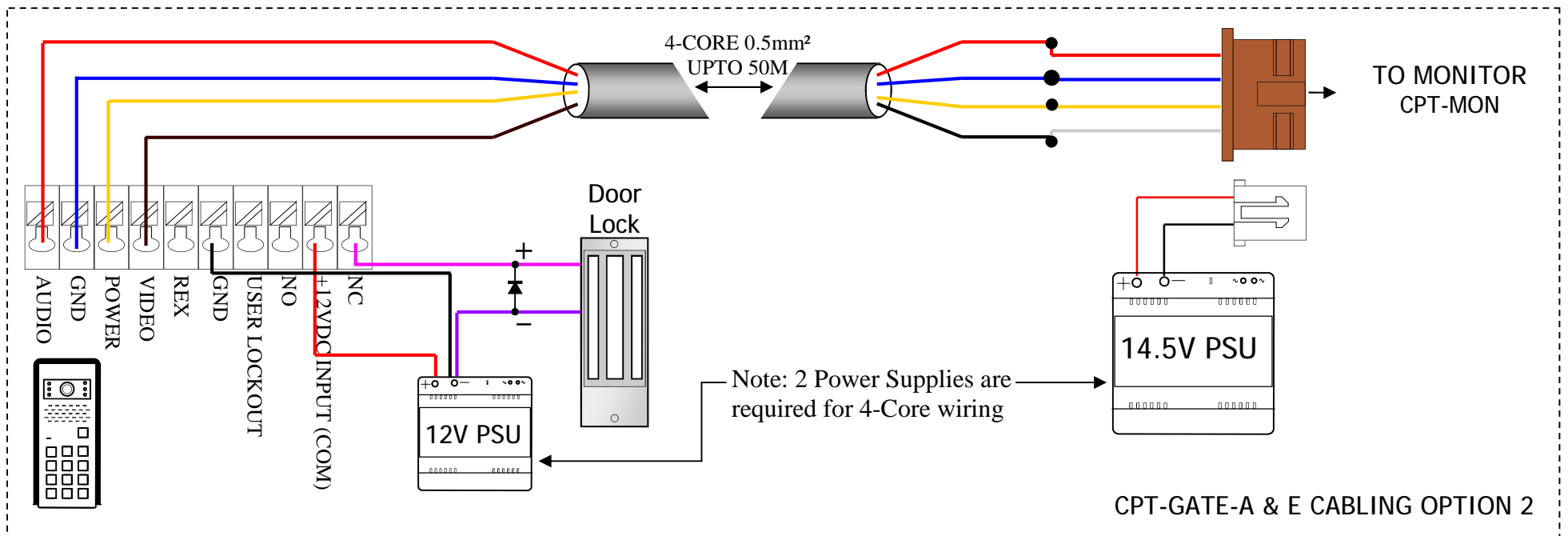
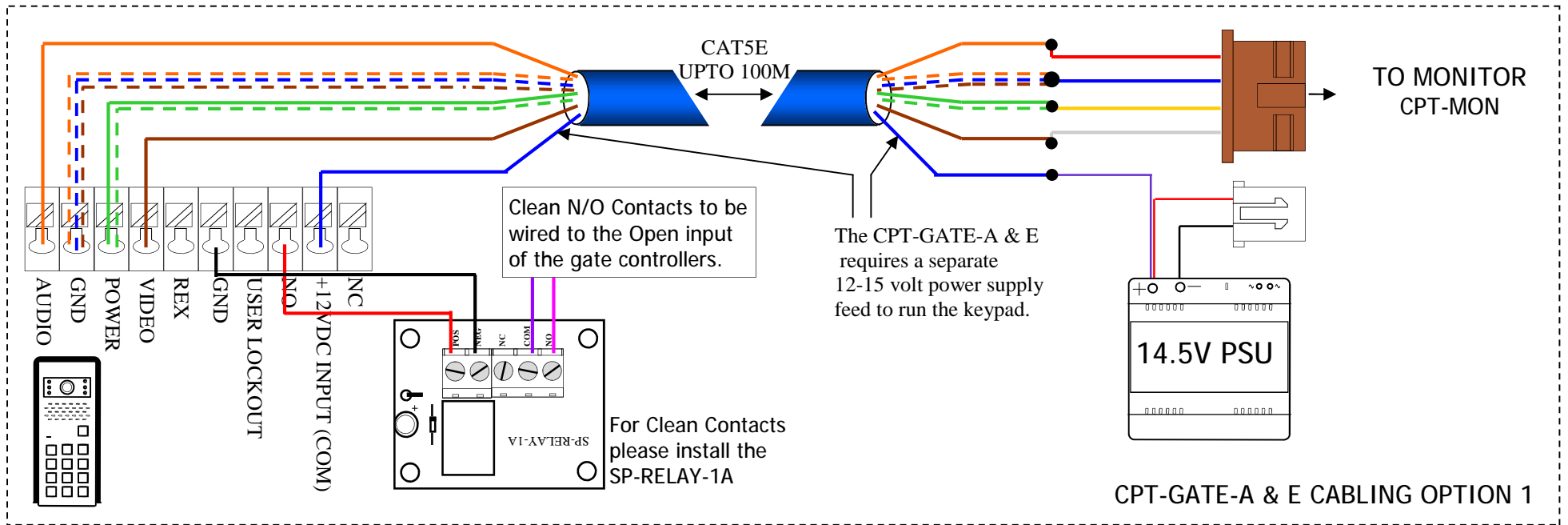
CN2 IS ONLY WIRED IF THE SECOND GATE STATION IS CONNECTED

JUMPER SETTING

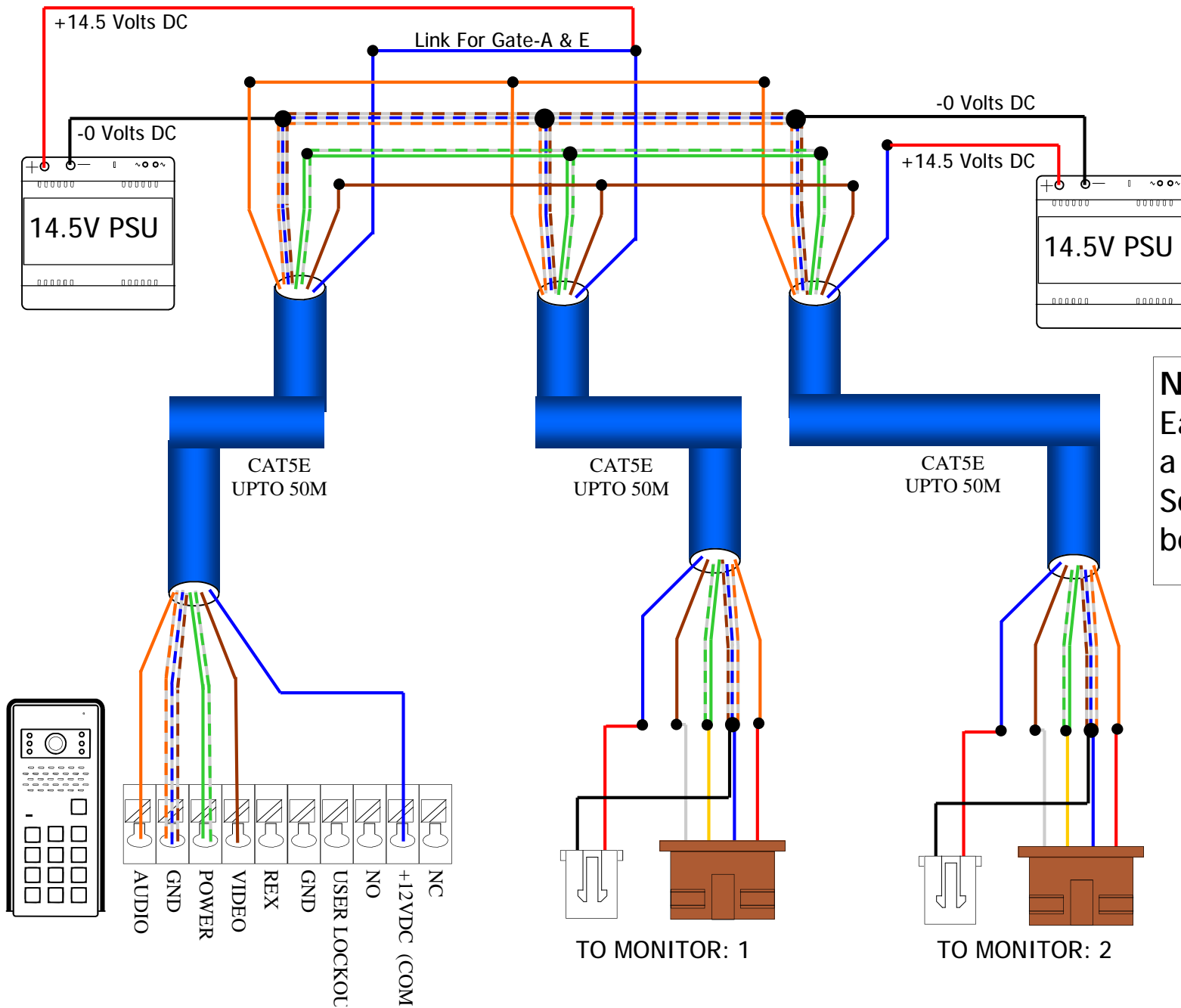
- J1 = The gate station will ring back when the button is pressed
- J3 = Feature not supported (can cause bad feed-back)
- J2 = Coax cable used







Star Wiring Example with Multiple Monitors



Note:
Each Monitor requires a current of 1Amp. So multiple PSU may be required.